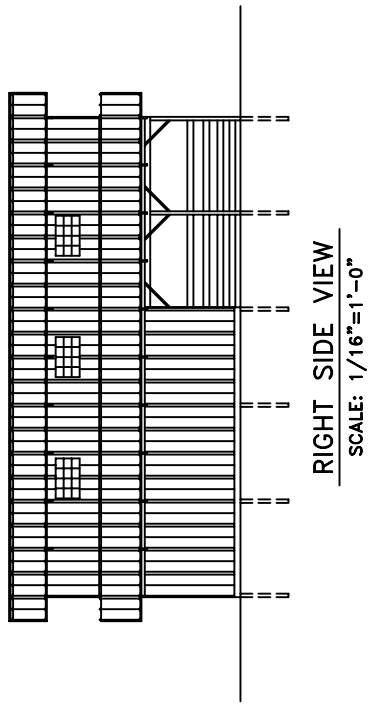
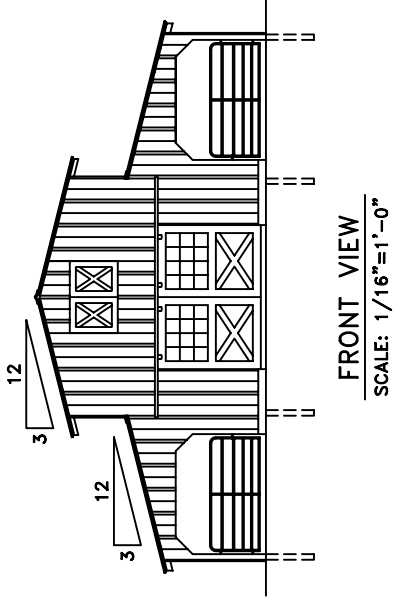
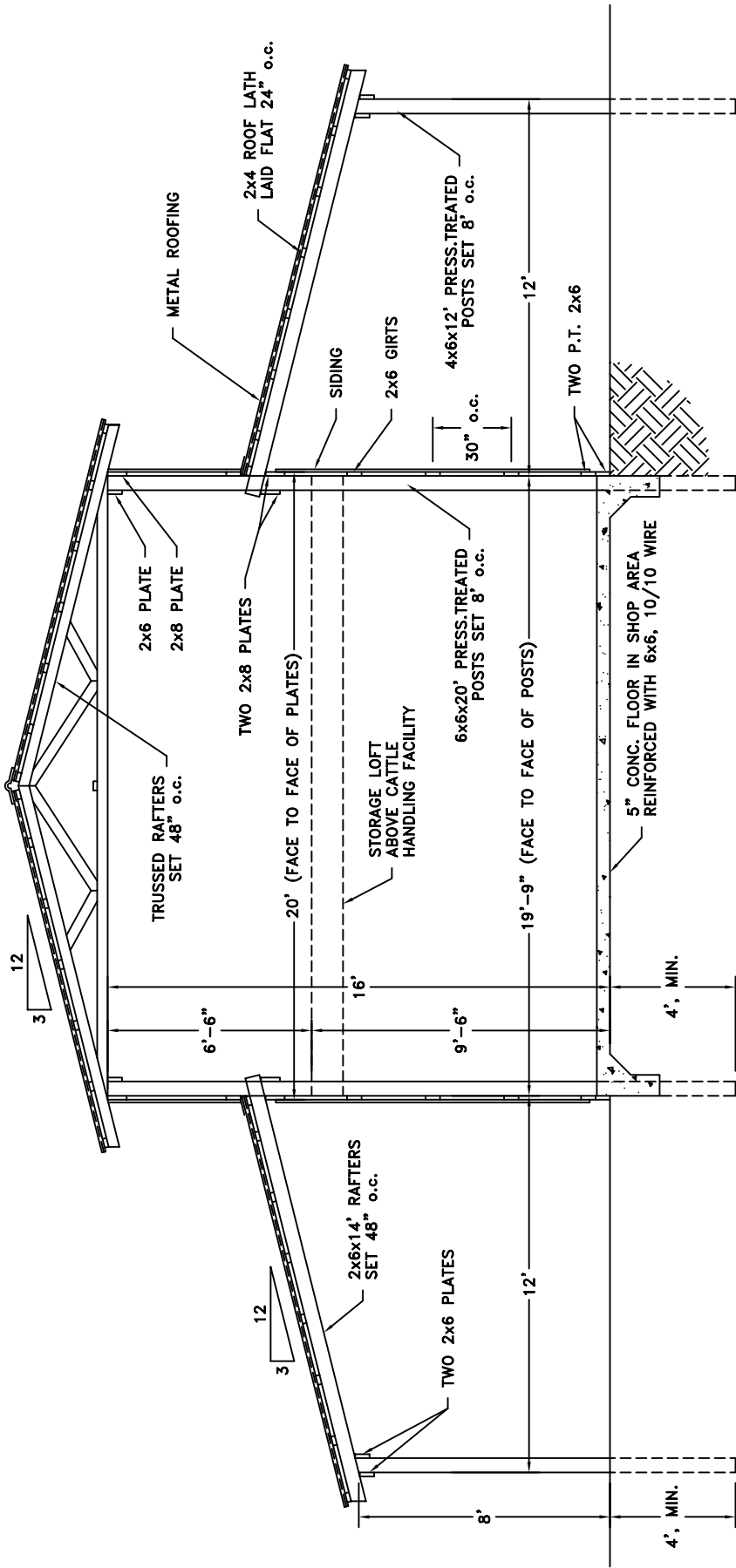
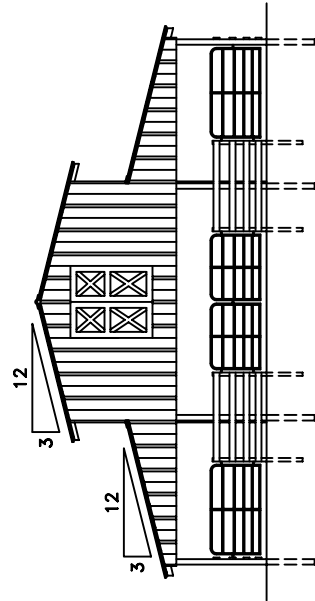


**PLAN**  
SCALE: 3/32"=1'-0"

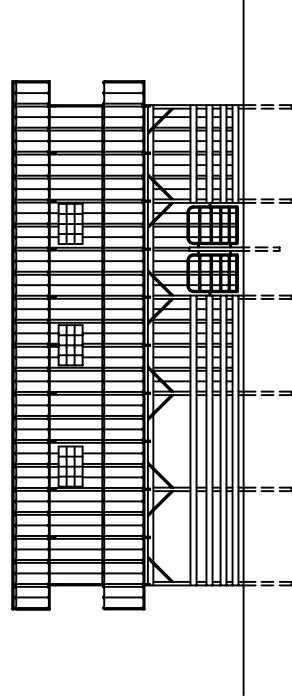




CROSS SECTION  
SCALE: 3/16"=1'-0"



REAR VIEW  
SCALE: 1/16"=1'-0"



LEFT SIDE VIEW  
SCALE: 1/16"=1'-0"