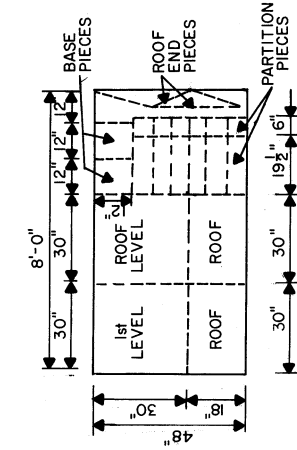
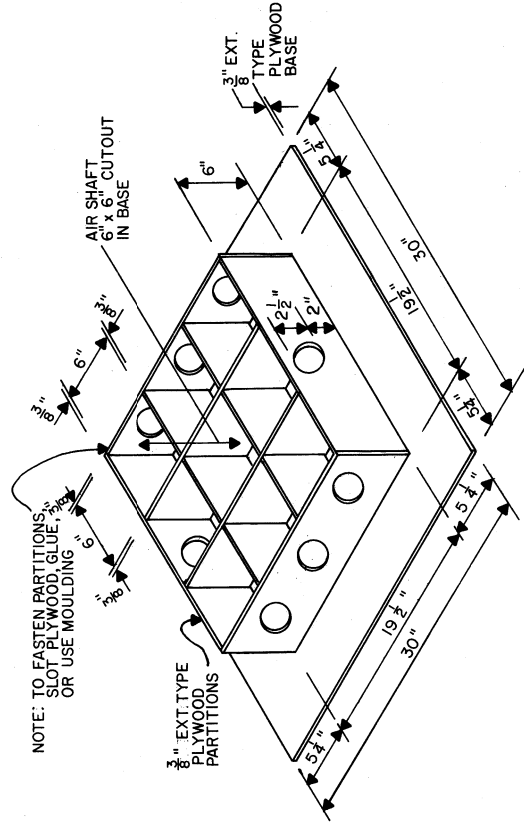


ROOF DETAILS

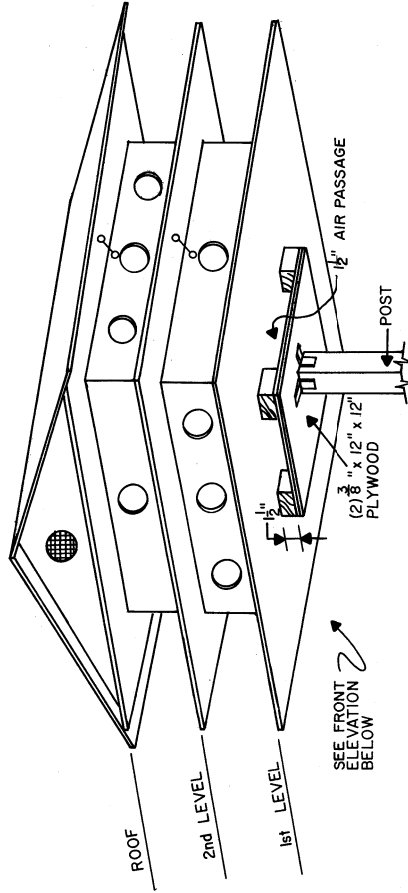


2 - REQ'D



NOTE: TO FASTEN PARTITIONS, SLOT PLYWOOD, GLUE, AND USE MOULDING

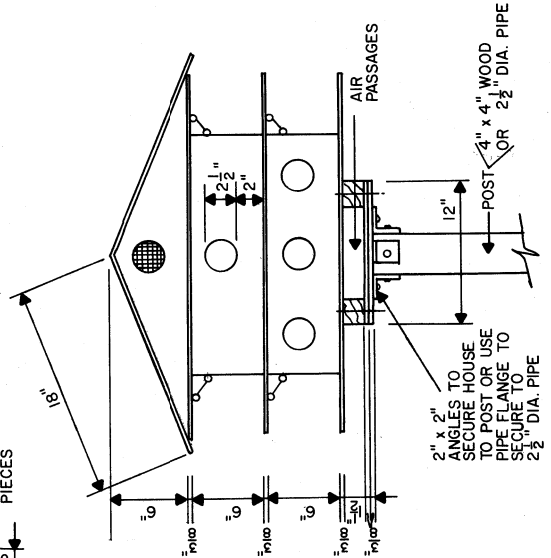
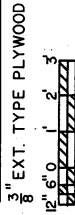
DETAILS OF ONE LEVEL



VIEW OF TWO LEVEL BIRDHOUSE

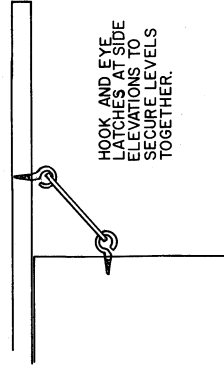
PLYWOOD CUTTING DIAGRAM FOR ONE LEVEL BIRDHOUSE

0" 1" 4" 9" 12" SCALE UNLESS OTHERWISE NOTED



NOTE: 1. LOCATE NEAR AREA NEEDING INSECT CONTROL.
2. HEIGHT ABOVE GROUND IS 15" - 20".

FRONT ELEVATION



DETAIL FOR LATCHES